

TECHNICAL DATA

D-SUBMINIATURE CONNECTORS

Contact : Brass or Phosphor bronze

Wire Size : AWG 20 to 24

Electrical

Insulation Resistance : 1000 megohms MIN. (at 500V DC)

Withstanding Voltage :

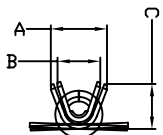
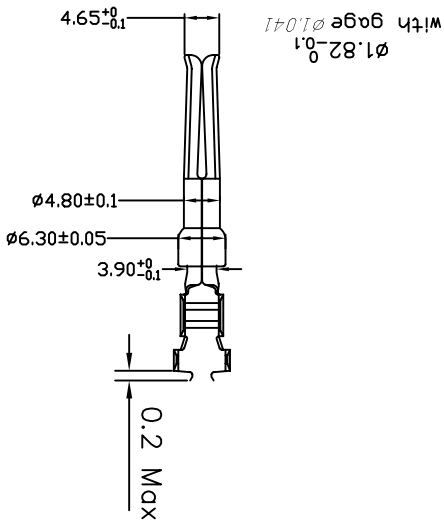
1200V AC / for 1 minute

Contact Resistance: 10

milli-ohms MAX. mated

Temperature:

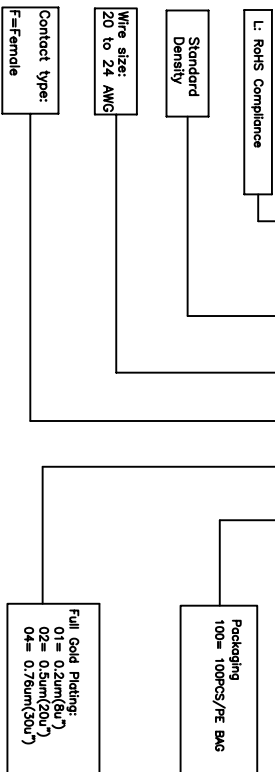
-55°C ~ +105°C



Apply bound	WIRE GAUGE	DIM A	DIM B	DIM C
High feet	20-24AWG	2.50±0.15	1.90±0.15	2.00±0.15

PRODUCT CODE

L 17 RR D1 F 01 100



Amphenol Socapex

SERIES	NUMBER SERIES	DATE	DESIGNATION	INTERNAL PART NUMBER
L17 RR Series	L17 RR Series	2006.07.24	Standard Density Crimp Contact Socket	L17RRD1F01100
TOL. GEN. : ±0.30	VOLUME:	AREA:	PLATING:	TREATMENT:
FILE:	MATERIAL:	CUSTOMER	MODIFICATIONS	DRAW
DATE	2006.07.24	07/24/06	APPROVE	IND

